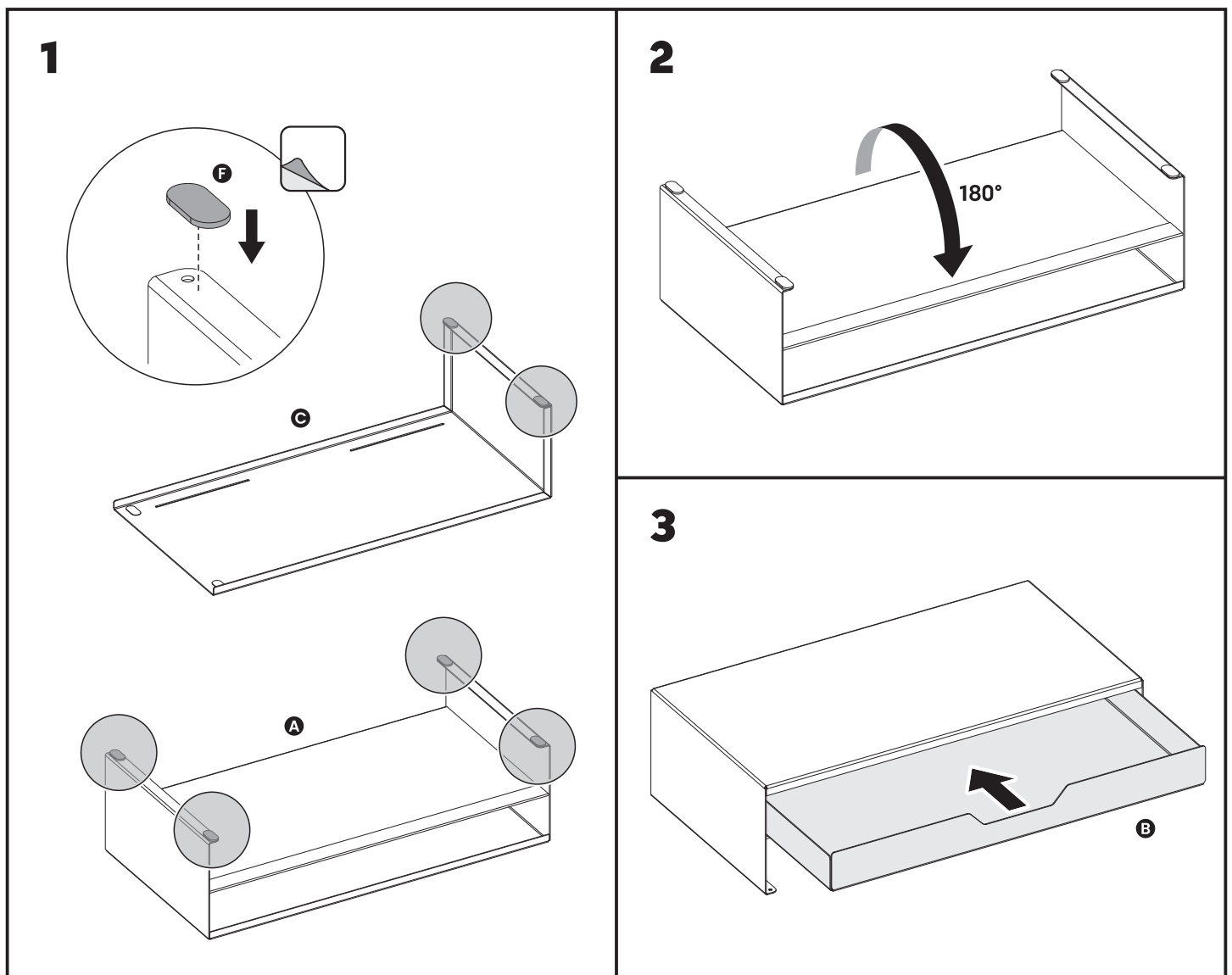
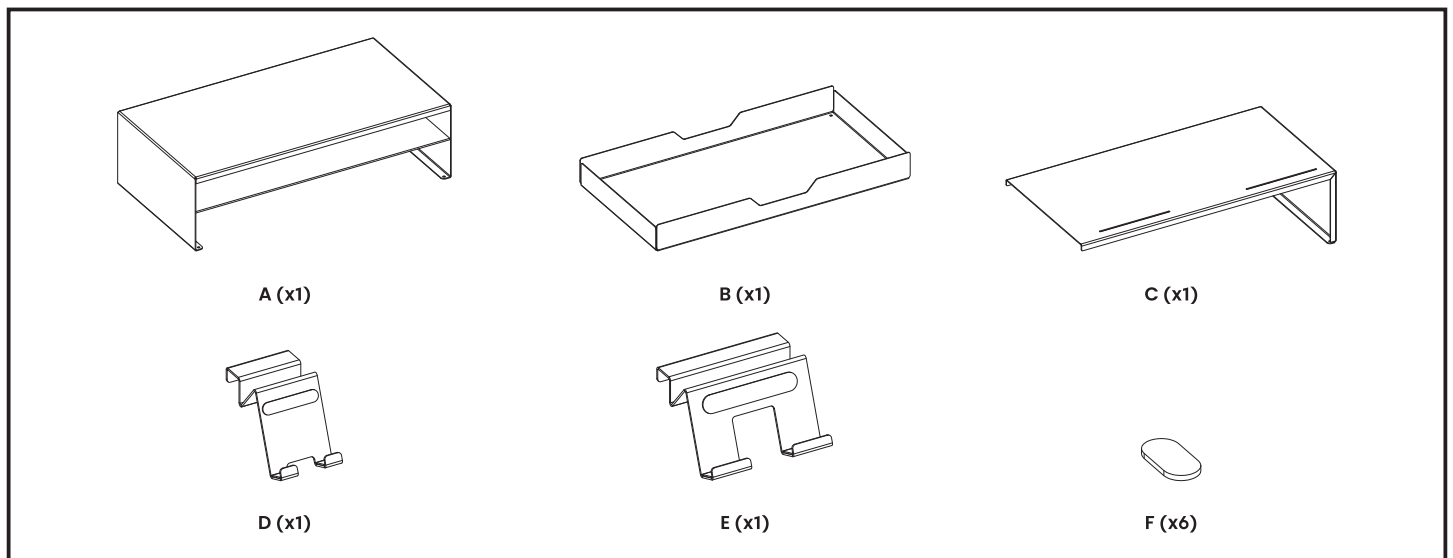


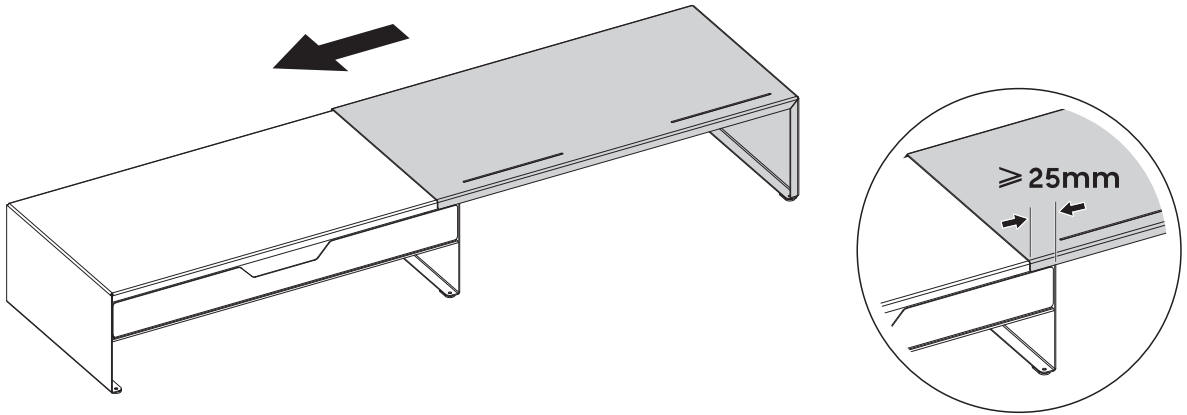
# MONITOR RISER

with Drawer & Storage Holders

STB-128-02



4



5

